

Engineering Cable for M100 EVO

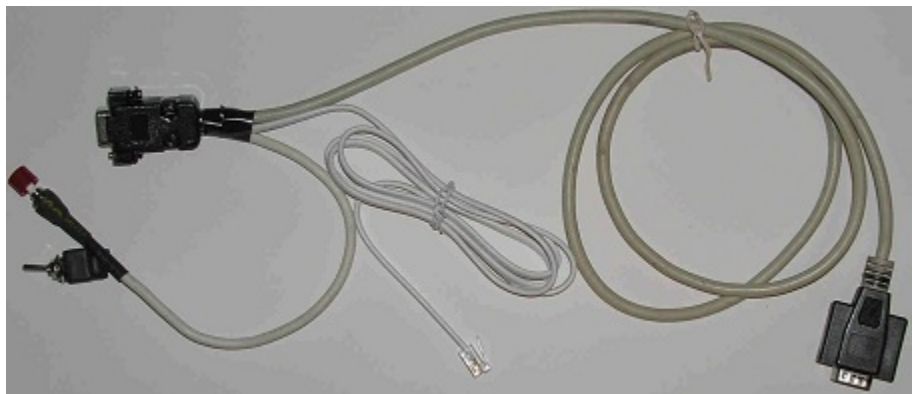
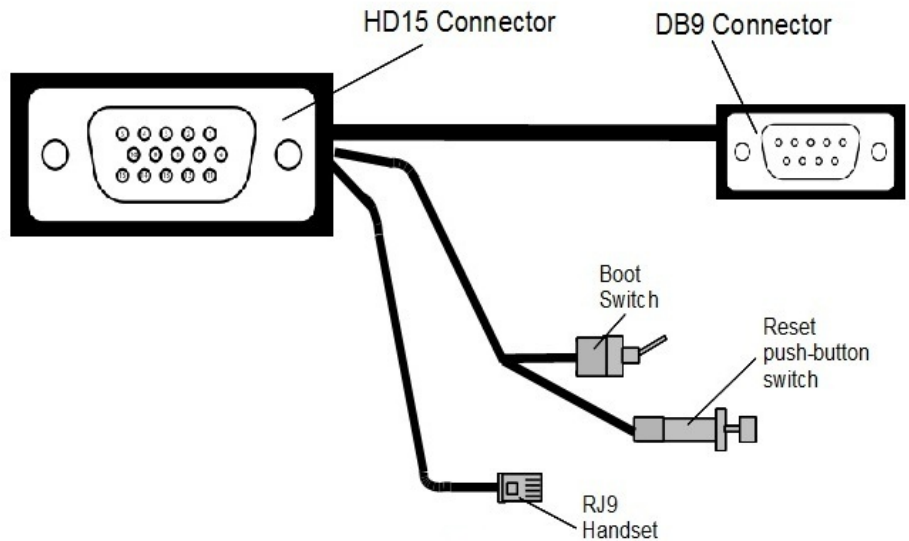
ClearConnex

Part Number: CCX-FEC-001

This cable is a must for anyone doing development with the Maestro Wireless M100 EVO modems. It allows users to work with Sierra Wireless tools for doing firmware upgrades, resize or reconfigure FLASH memory, or download an OpenAT application.

This cable makes the following features accessible from the M100 EVO's HD-15 (aka DB-15) connector:

- DB-9 connector for RS232 full flow control serial communications, 3 ft length
- Boot switch used for firmware download using the Sierra Wireless DWLWin application.
- Reset push button
- RJ9 connector for connecting audio to standard phone handset



For more M100 EVO related information, please see the Maestro Wireless M100 EVO Users Manual.

Engineering Cable for M100 EVO

Part Number: CCX-FEC-001

Pin Out

Below is the cable pinout. Please see the Maestro Wireless M100 EVO Users Manual for more detail.

Pin #	I/O	I/O Type	Description
1	O	STANDARD RS232	RS232 Data Carrier Detect
2	I	STANDARD RS232	RS232 Transmit Serial Data
3	I	CMOS	Boot
4	I	Analog	Microphone +
5	I	Analog	Microphone -
6	O	STANDARD RS232	RS232 Receive Serial Data
7	O	STANDARD RS232	RS232 Data Set Ready
8	I	STANDARD RS232	RS232 Data Terminal Ready
9	-	GND	Ground
10	O	Analog	Speaker Positive Line
11	O	STANDARD RS232	RS232 Clear To Send
12	I	STANDARD RS232	RS232 Request to Send
13	O	STANDARD RS232	RS232 Ring Indicator
14	I/O	Schmitt	Reset
15	O	Analog	Speaker Negative Line

Custom Designs

ClearConnex is a leading provider of engineering services for wireless devices. We can customize the Engineering Cable for M100 EVO to meet your needs or design custom cables for any device.

The ClearConnex mission is to build embedded wireless communication products for our customers to meet timely and predictable schedules that achieve the customer's business, time-to-market and technical performance goals. ClearConnex achieves this through expert bundling of software products and engineering services called the ClearSolution.

With the **ClearSolution Software Platform** you will:

- Reduce risk of not meeting business and technical targets
- Shorten the development path thus saving months of engineering cost and effort
- Launch early into market window schedule
- Eliminate delay of reinventing the same foundation all wireless products require
- Take advantage of platform maturity - having been deployed in many products
- Quickly develop your business's unique, high value application

With **ClearSolution Engineering Services** you will:

- Collaborate with seasoned wireless engineering professionals
- Take advantage of decades of experience in building wireless applications
- Comprehend and control the unique challenges of building wireless devices
- Get first rate technical support before, during and after the development of your product.
- Incorporate your business goals in addition to your technical goals.

For more information: www.clearconnex.com
1021 Main Campus Drive, Raleigh, NC 27607



ClearConnex